

# PIUSI K33 METER ATEX VER A 3 DIGIT MECHANICAL PETROL 20-120LPM F0057000A

F0057000A

## FLUID COMPATIBILITY

Diesel

Petrol

Mechanical fuel meter with rotating disc technology, 1 inch BSP female inlet/outlet, rated to 28 bar. ATEX-certified for petrol dispensing in hazardous locations.



## FEATURES

- ATEX-certified for petrol in hazardous locations
- Flow range 20-120 L/min
- 1 inch BSP female connections
- 3-digit mechanical totaliser in litres
- 28 bar maximum working pressure
- Aluminium construction
- No power supply required
- Rotating disc mechanism

## BENEFITS

- Legal for petrol dispensing in ATEX zones
- Fits standard 1 inch BSP plumbing
- No wiring, no batteries, no downtime from power failures
- Handles high-pressure fuel systems to 28 bar
- Field-proven mechanical design, parts available

## TECHNICAL SPECIFICATIONS

|                      |                   |                     |                         |
|----------------------|-------------------|---------------------|-------------------------|
| Flow Rate            | 20-120ltr Per Min | Accuracy            | +/-1% after calibration |
| Max Working Pressure | 28                | Working Temperature | -20°C/+60°C             |

## USE CASE & APPLICATION

- Service station petrol dispensing
- Aviation refuelling in controlled areas
- Workshop petrol transfer with ATEX requirement
- Marine fuel systems requiring hazardous area certification
- Any petrol application where ignition sources are controlled



FUEL MANAGEMENT SYSTEMS



DISPENSERS



KITS



PUMPS



METERS



NOZZLES

# K33 ATEX



## FEATURES

- BURSTING PRESSURE 28 BAR
- 3 DIGIT DISPLAY
- EASY TO CALIBRATE
- 4 FLOW DIRECTIONS

The PIUSI K33 ATEX is an oval gear mechanical meter engineered for an accurate measuring of the quantity of fluid dispensed that meets the ATEX/IECEX requirements related to the use in potentially explosive atmospheres. Reliable and easy to install, it can be calibrated on site and simply fitted with both rigid or flexible pipes or can be put directly on pumps and tanks.

### PERFORMANCE

**20-120**

L/MIN

FLOW RATE

**3,5 BAR**

MAX

OPERATING PRESSURE

**± 1%**

ACCURACY

**0,3%**

REPEATABILITY



K33 - ATEX



OUR PRODUCTS COMPLIES WITH THE FOLLOWING MARKING ATEX

| II    | 2        | G                            | c                 | IIB       | T6                |
|-------|----------|------------------------------|-------------------|-----------|-------------------|
| GROUP | CATEGORY | TYPE OF EXPLOSIVE ATMOSPHERE | PROTECTION METHOD | GAS GLASS | TEMPERATURE CLASS |

### PACKAGING

| CODE      | WEIGHT |      | PACKAGING   |      |         | N. BOXES / EUROPALLET |     |
|-----------|--------|------|-------------|------|---------|-----------------------|-----|
|           | KG     | LBS  | MM          | INCH | PCS/BOX | ✈                     | 🚚   |
| FO057000A | 2,02   | 4,44 | 180X180X170 | -    | 1       | 192                   | 240 |
| FO057001A | 2,02   | 4,44 | 180X180X170 | -    | 1       | 192                   | 240 |
| FO057002A | 2,02   | 4,44 | 180X180X170 | -    | 1       | 192                   | 240 |
| FO057003A | 2,02   | 4,44 | 180X180X170 | -    | 1       | 192                   | 240 |



FILTRATION



TANK MONITORING



HOSE REEL



ACCESSORIES



MERCHANDISE

# PIUSI



ANY BIODIESEL



AIR



ANTIFREEZE



AdBlue®



BIODIESEL



DIESEL



FOOD



GASOLINE



GREASE



KEROSENE



OIL

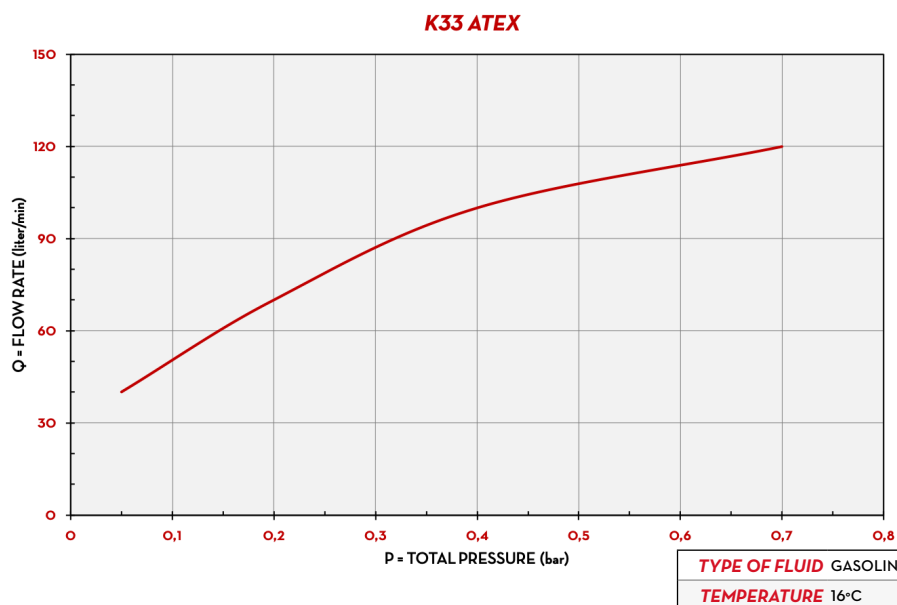


WATER

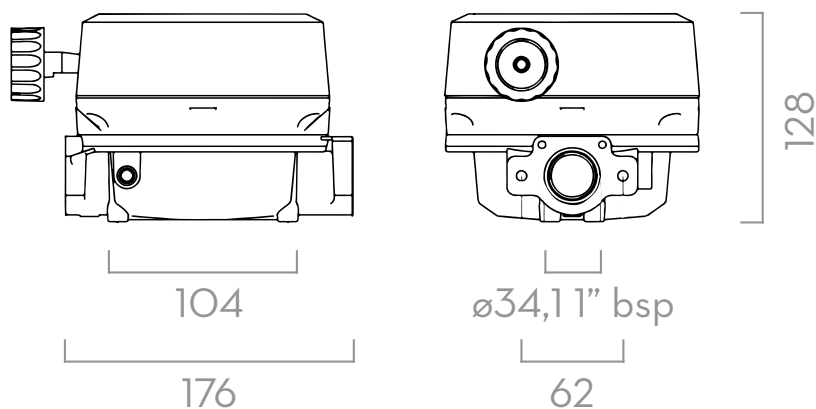


WINDSCREEN

## CHART



## DIMENSIONS

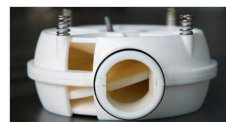


Dimensions expressed in millimeters

## IN THE BOX

- K33 ATEX METER
- INSTRUCTION MANUAL

## DETAILS



NUTATING DISK SYSTEM



4 FLOW DIRECTIONS



ATEX APPROVED



SAFETY BONDING

## MATERIALS

- BODY: ALUMINIUM
- NUTATING DISK CHAMBER: TECHNOPYLIMER

## TECHNICAL DATA

| CODE      | DESCRIPTION       | FLUIDS TYPE | FLOW DIRECTION | FLOW RATE |        | PRESSURE |     | INLET / OUTLET |
|-----------|-------------------|-------------|----------------|-----------|--------|----------|-----|----------------|
|           |                   |             |                | L/MIN     | GPM    | BAR      | PSI |                |
| FO057000A | K33 - ATEX VER. A | D G K       | ←              | 20 - 120  | 5 - 32 | 3,5      | 50  | 1" BSP         |
| FO057001A | K33 - ATEX VER. B | D G K       | ↑              | 20 - 120  | 5 - 32 | 3,5      | 50  | 1" BSP         |
| FO057002A | K33 - ATEX VER. C | D G K       | ↓              | 20 - 120  | 5 - 32 | 3,5      | 50  | 1" BSP         |
| FO057003A | K33 - ATEX VER. D | D G K       | →              | 20 - 120  | 5 - 32 | 3,5      | 50  | 1" BSP         |

COMPATIBLE FLUIDS: DIESEL, KEROSENE, PETROL, PETROL/ALCOHOL MIXTURE (MAX 20%), AVGAS 100/100LL (PUMP AND FLOW METER ONLY), JET A/A1 (PUMP AND FLOW METER ONLY), ASPEN 2/4. VERSION WITH UL APPROVAL FOR ASPEN 2/4 AVAILABLE.