

# PIUSI OCIO AUTOMATIC TANK GAUGE F0075510D

F0075510D

Premium electronic gauge for single diesel or AdBlue tanks. Displays litres in real-time with 5-7% accuracy. Brass construction. Australian voltage. Tank-level visibility without dipping.



## FEATURES

- 5-7% accuracy across reading range
- Single tank electronic display
- Real-time litres readout
- Brass sensor construction
- 240V Australian voltage
- 2.2 kg installed weight
- Diesel, AdBlue, oil compatible

## BENEFITS

- Know stock levels without climbing tanks or dipping
- Plan refills before you run dry
- Brass sensor handles fuel and AdBlue without corrosion
- Australian voltage, no transformer needed
- Accurate enough for ordering decisions, not just guesswork

## TECHNICAL SPECIFICATIONS

Accuracy	+/-5-7%	Reading Type	0-100% / mm / inches / litres / gallons
Dimensions	165mm L x 60mm W x 180mm H	Capillary Type	6 x 4 Rilsan PA12
Balance Chamber Fitting	1/2" M BSP	Max Working Temperature	-20°C / +50°C

## USE CASE & APPLICATION

- Workshop diesel storage tanks
- AdBlue bulk tank monitoring
- Fuel depot inventory visibility
- Fixed oil storage at industrial sites
- Fleet refuelling stations



FUEL MANAGEMENT SYSTEMS



DISPENSERS



KITS



PUMPS



METERS



NOZZLES

# OCIO

## FEATURES

- LOW/HIGH LEVEL ALARMS
- FLUID MEASURES INDICATION
- BUILT-IN DISPLAY

OCIO is PIUSI's tank level indicator suitable for any kind of fluid stored in tanks up to a 4 mt depth. It gives a real time indication of the fluid quantity inside the tank. It is easy to calibrate and has two alarms that can be adjusted at a specific high and low level for high and low levels.

### PERFORMANCE

UP TO

**4MT**

HEIGHT

TANK

**± 1%**

FULL SCALE

ACCURACY

UP TO

**50 MT**

LENGTH

PROBE TUBE

UP TO

**30 CST**

VISCOSITY



OCIO



10 METERS HOSE



BRASS PROBE

### PACKAGING

CODE	WEIGHT		PACKAGING		
	KG	LBS	MM	INCH	PCS/BOX
FO075510D	2,2	4,8	300X410X100	11,8X16,1X3,9	1
FO075516O	2,2	4,8	300X410X100	11,8X16,1X3,9	1



FILTRATION



TANK MONITORING



HOSE REEL



ACCESSORIES



MERCHANDISE

# PIUSI

IS

ANY BIODIESEL

A

AIR

A

ANTIFREEZE

Ad

AdBlue®

B

BIODIESEL

D

DIESEL

F

FOOD

G

GASOLINE

G

GREASE

K

KEROSENE

O

OIL

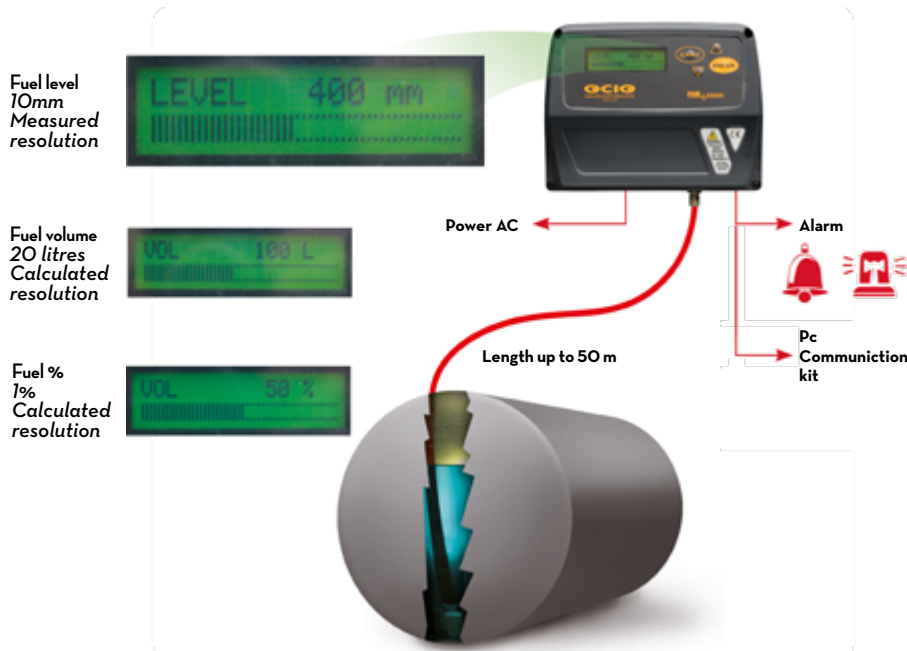
W

WATER

W

WINDSCREEN

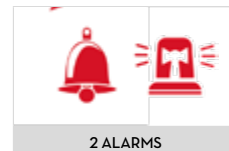
## FUNCTIONING



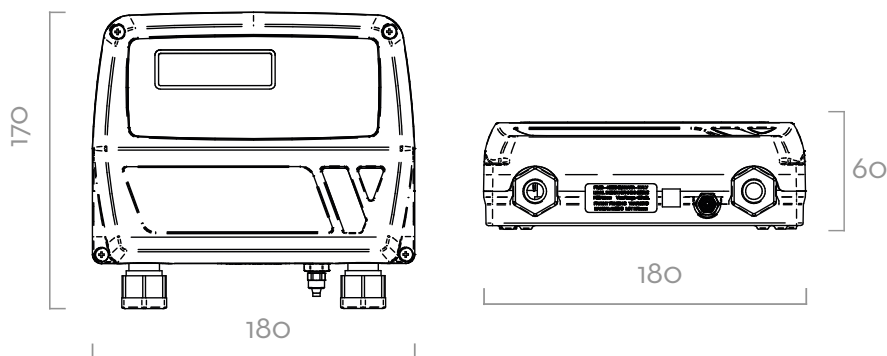
## IN THE BOX

- OCIO UNIT
- PROBE
- 10 MT TUBE
- INSTRUCTION MANUAL

## DETAILS



## DIMENSIONS



Dimensions expressed in millimeters

## MATERIALS

- PROBE: BRASS
- TUBE: RILSAN (POLYAMIDE)

## TECHNICAL DATA

CODE	DESCRIPTION	FLUIDS TYPE	VISCOSITY	VOLTAGE		RS EXIT
			cSt	AC V/HZ	POWER WATT	
FO075510D	LEVEL INDICATOR OCIO LV / RS OUTPUT	A B D O W	UP TO 30	230/50	20	AVAILABLE
FO075516O	LEVEL INDICATOR OCIO LV / 4/20 mA OUTPUT	A B D O W	UP TO 30	230/50	20	AVAILABLE