



FUEL MANAGEMENT SYSTEMS



DISPENSERS



KITS



PUMPS



METERS



NOZZLES

FOOT VALVE

FEATURES

- HEAVY DUTY
- STURDY STRUCTURE
- LOW PRESSURE DROP
- ANTI-SHOCK MATERIALS

The FOOT VALVE designed and engineered by PIUSI is a new concept of valve for fuel suction hoses on machinery. It is fitted with a mesh filter for diesel fuel residues, anti-shock materials to avoid damage caused by dropping and, thus, a low dropping pressure. The quick locking/unlocking and the clear indications of opening and closing complete its main features.



PERFORMANCE

125µ

FILTERING CAPACITY

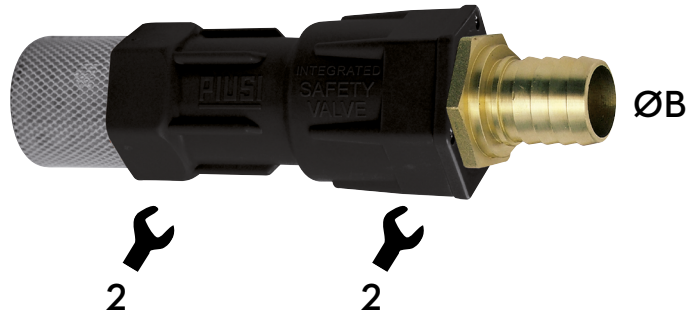
1"-3/4"

BSP

INLET



FOOT VALVE WITH FILTER



PACKAGING

CODE	WEIGHT		PACKAGING		
	KG	LBS	DIMENSIONS MM	INCH	PCS/BOX

FOOT VALVE WITH FILTER

FO0609000	2,5	5,3	180X180X170	7,1X7,1X6,7	10
FO0612000	0,2	0,44	-	-	1
F15749000	1,35	3	215X147X116	8,5X5,8X4,6	12
FO7978000	6,7	14,8	180X180X170	7,1X7,1X6,7	25
FO8153000	0,15	0,33	-	-	1
FO9170000	6,5	14,3	180X180X170	7,1X7,1X6,7	25



FILTRATION



TANK MONITORING



HOSE REEL



ACCESSORIES



MERCHANDISE

PIUSI[®]



AIR



ANTIFREEZE



AdBlue[®]



BIODIESEL



DIESEL



FOOD



GASOLINE



GREASE



KEROSENE



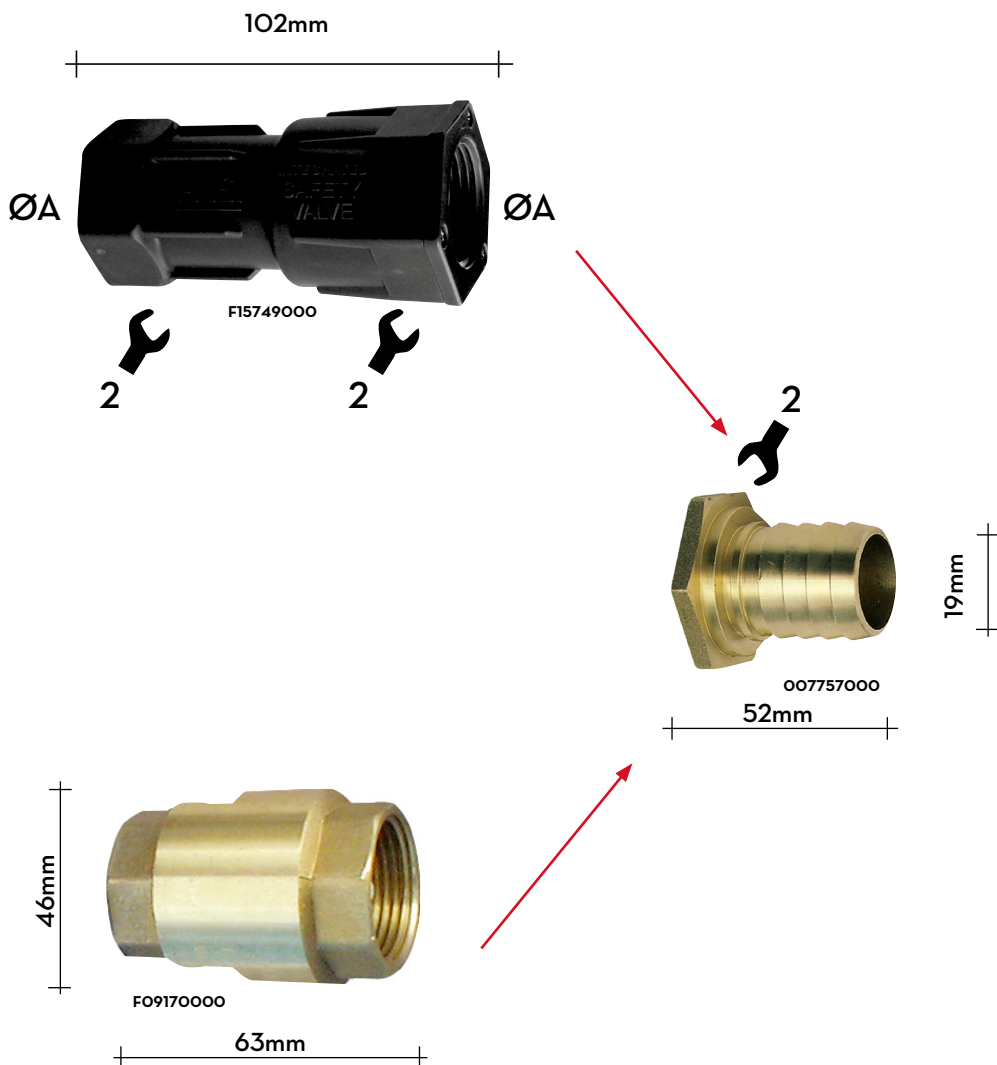
OIL



WATER



WINDSCREEN



TECHNICAL DATA

CODE	DESCRIPTION	FLUIDS TYPE	SAFETY VALVE					A	B	C	KEY		MICRO
								Ø BSP	Ø BSP	Ø BSP	1	2	µm

FOOT VALVE WITH FILTER

FO0609000	FOOT VALVE WITH FILTER 1" BSP	D G O	YES	YES	-	YES	YES	-	1"	-	38	-	125
FO0612000	FOOT VALVE WITH FILTER 3/4" BSP	D G O	YES	YES	-	YES	YES	-	3/4"	-	31	-	125
F15749000	1" WITH BUILT-IN SAFETY VALVE	D G O	YES	YES	-	-	-	1"	-	-	-	42/46	-
FO7978000	FOOT VALVE WO/FILTER 1" BSP	D G O	-	-	YES	-	-	-	-	1"	-	-	-
FO8153000	FOOT VALVE WO/FILTER 3/4" BSP	D G O	-	-	YES	-	-	-	-	3/4"	-	-	-
FO9170000	HIGH PRESSURE VALVE 1" BSP	D O	YES	-	YES	-	-	-	-	1"	-	-	-

FOOT VALVE